

ABLOY® EL412 ELECTROMECHANICAL LOCK FOR NARROW STILE DOORS

SCANDINAVIAN RANGE



ELECTRIC LOCKS ABLOY® EL412, EL413 WITH DOUBLE ACTION BOLT

TECHNICAL DETAILS

Operating voltage	12VDC -10%/+15% or 24VDC ± 15%
Typ. current	0.24 A (24V, +20°C) or 0.46 A (12V, +20°C)
Temperature range	-20°C...+60°C
Bolt throw	14 mm
Backset	25, 28, 30, 35 mm
Forend	25 mm

FINISH

Chrome plated forend, lock body
chrome plated.

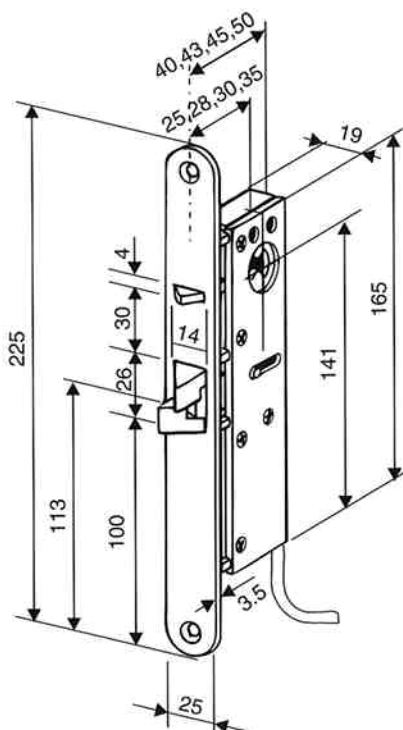
CYLINDERS

- Scandinavian oval type; ABLOY® DISKLOCK PRO, ASSA, RUKO, TrioVing or other.
- Finnish type; ABLOY® CLASSIC or ABLOY® DISKLOCK PRO.

PACKAGE

Lock case, striker plate 4613, spacers 442549, connection plugs, fixing screws, drilling, fitting and wiring instructions.

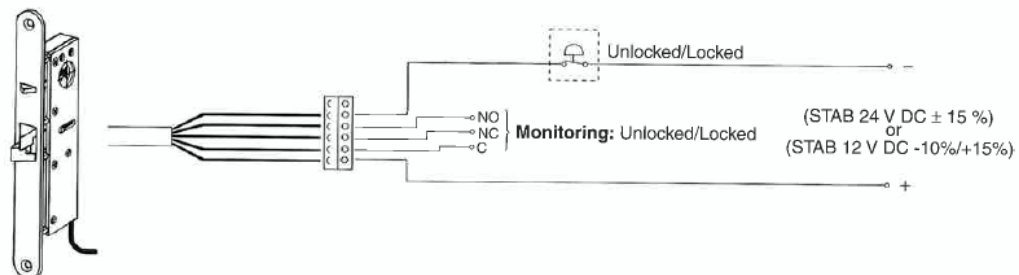
DIMENSIONS



ABLOY® EL412 is a fail locked type and ABLOY® EL413 a fail unlocked type lock for narrow stile doors.

APPLICATION

EL412 and EL413 are used i.e. in the exterior doors of apartment buildings and business premises. Please note that EL413 is always recommended to be installed with inside thumbturn.



The locks can also be mounted horizontally.

Also available:

- EL412DA and EL413DA with symmetrical trigger bolt for use in swinging doors.