

NEW ABLOY[®] EL402
ELECTROMECHANICAL LOCK FOR
NARROW STILE DOORS
SCANDINAVIAN RANGE



ABLOY[®] EL402 lock case with double action bolt features an innovative adjustable backset technique.

TECHNICAL DETAILS

Operating voltage	12-24 VDC (-10%/+15%)
Current consumption	max 550 mA (12 VDC) idle 240 mA (12 VDC) max 270 mA (24 VDC) idle 110mA (24 VDC)
Temperature range	-20°C...+60°C
Bolt throw	14,5 mm
Adjustable backset	25, 28, 30, 33, 35 mm
Forend	25 mm

FINISH

Chrome plated forend

CYLINDERS

- Scandinavian oval type; **ABLOY®** DISKLOCK PRO, **ABLOY®** PROTEC, ASSA, RUKO, TrioVing or other.

- Finnish type; **ABLOY®** CLASSIC, **ABLOY®** DISKLOCK PRO, **ABLOY®** PROTEC, ASSA, RUKO, TrioVing or other.

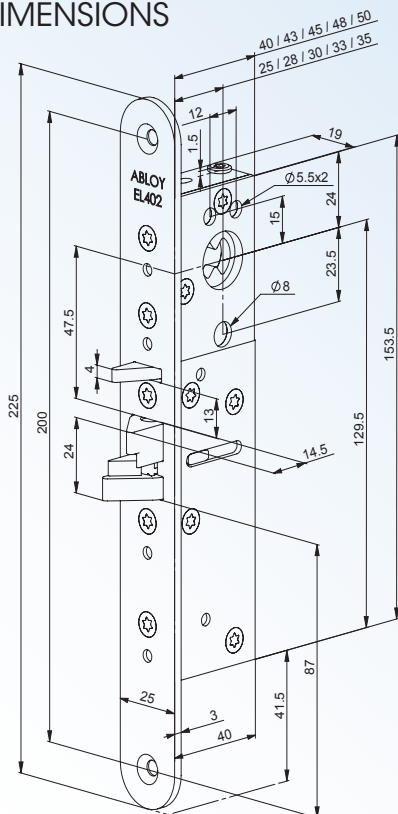
PACKAGE

Lock case, strike plate EA307, connection plugs, fixing screws, lock case manual

MONITORING

Deadlocking status of double action bolt

DIMENSIONS



APPLICATION

ABLOY® EL402 is typically used in the exterior doors of apartment buildings and interior doors of business premises.

The locks include a new double action bolt construction for durable and easy use and they offer a cost-effective way of electric locking that is highly advantageous in comparison to e.g. electric strike.

ABLOY® EL402 can be controlled by a variety of electrical impulse generating equipment such as card reader, keypad or timer. The locks can be connected to automatic swing door operators and are an excellent solution for use in access control systems. Frame mounting above the door is also possible.

Because of its unique symmetrical trigger bolt **ABLOY®** EL402 can be used in swinging doors.

FUNCTION

Door can be opened by pushing or pulling when electric control is switched on.

ABLOY® EL402 can be configured to operate also fail unlocked, when the door can be opened by pushing or pulling when the electric control is switched off.

Lock can always be opened by key or by thumbturn and the lock deadlocks when the door closes.

New functional features

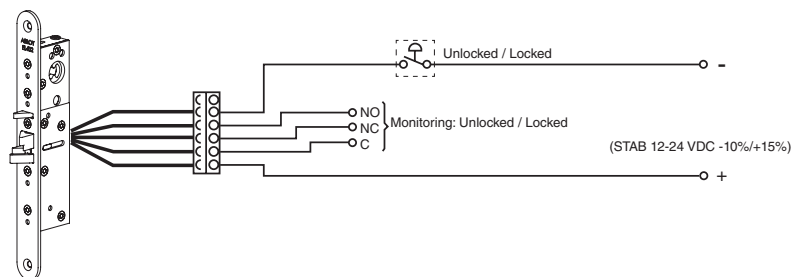
- Adjustable backset
- Non-handed, symmetrical trigger bolt
- Immediate release of deadlocking
- Configurable fail locked / fail unlocked
- Wide operating voltage

ABLOY® EL402 is not recommended for use in doors with seal force.

The locks can not be used in fire doors.

In swinging doors the lock may be locked only when the door has completely stopped in the closed -position.

WIRING PRINCIPLE



CYLINDERS

C = **ABLOY®** CLASSIC, D = **ABLOY®** DISKLOCK PRO, N = **ABLOY®** PROTEC

Single	CY066C, D, N	Finnish
	CY201D, N /6411	Scandinavian oval
Double	CY067C, D, N	Finnish
	CY202D, N /6412	Scandinavian oval

ACCESSORIES (Please order separately)

Strike	EA308, 4613, 4614 443608 (for swinging doors)
Cable	EA211 (6 m) EA221 (10 m)
Lead cover	EA280 or EA281



www.abloy.com

Abloy Oy
Wahlforssinkatu 20
P.O.Box 108
FI-80101 JOENSUU
FINLAND
Tel. +358 20 599 2501
Fax +358 20 599 2209

